

# Inlet & Power

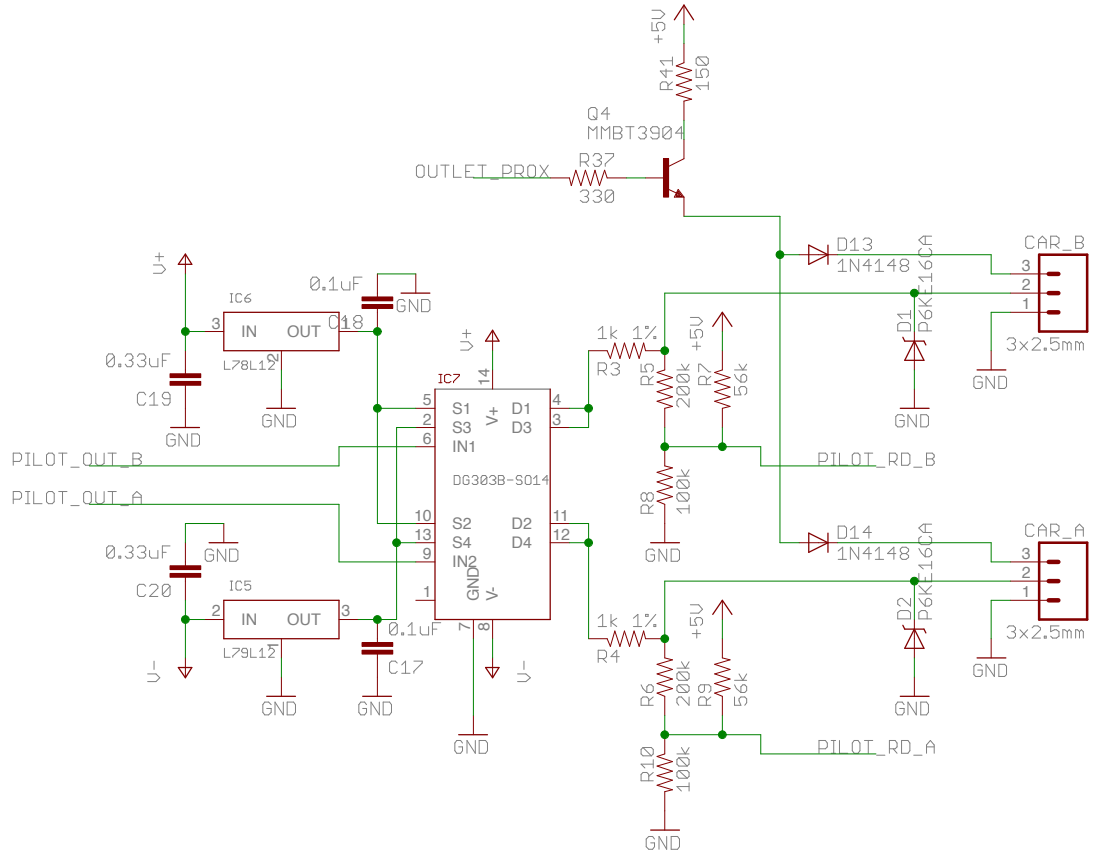
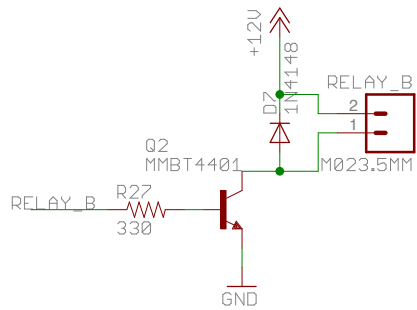
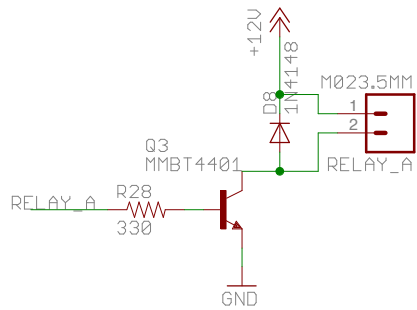
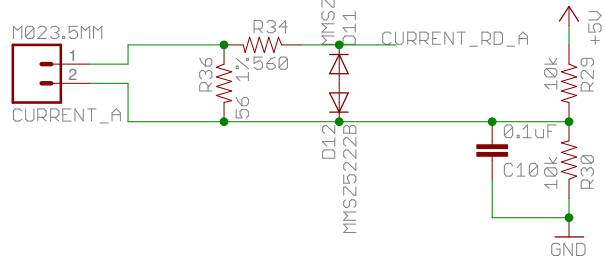
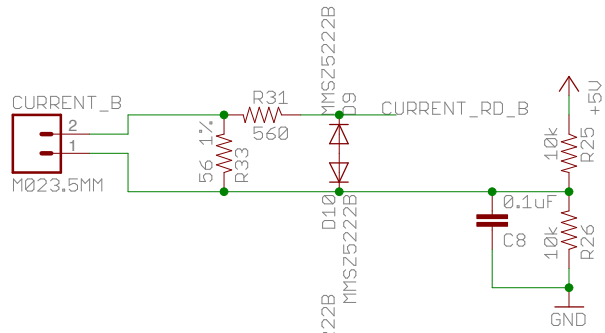
TITLE: Hydra\_II

Document Number:

REV:

Date: 3/8/14 4:52 PM

Sheet: 1/3

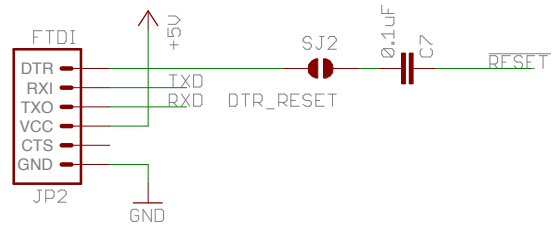
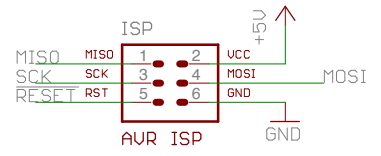
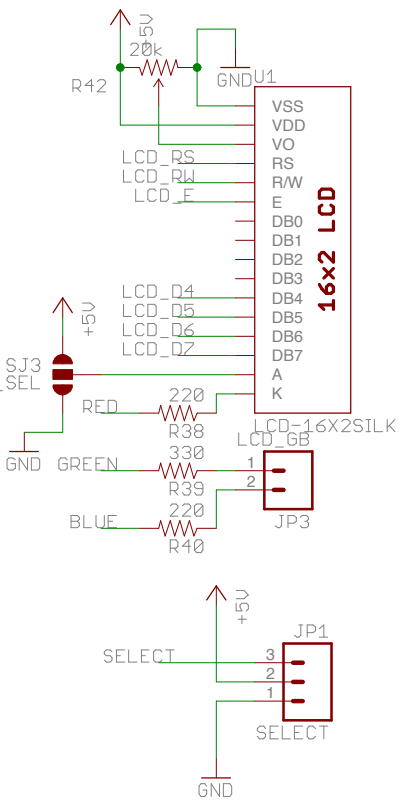
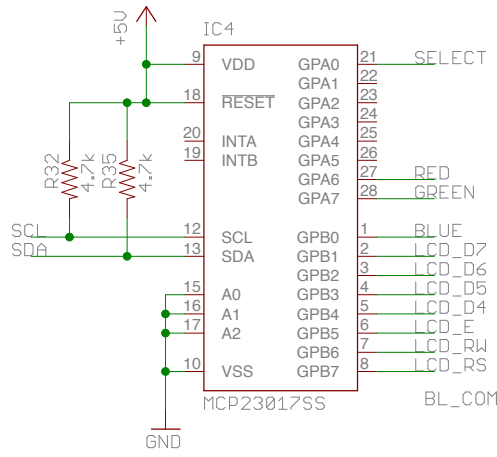
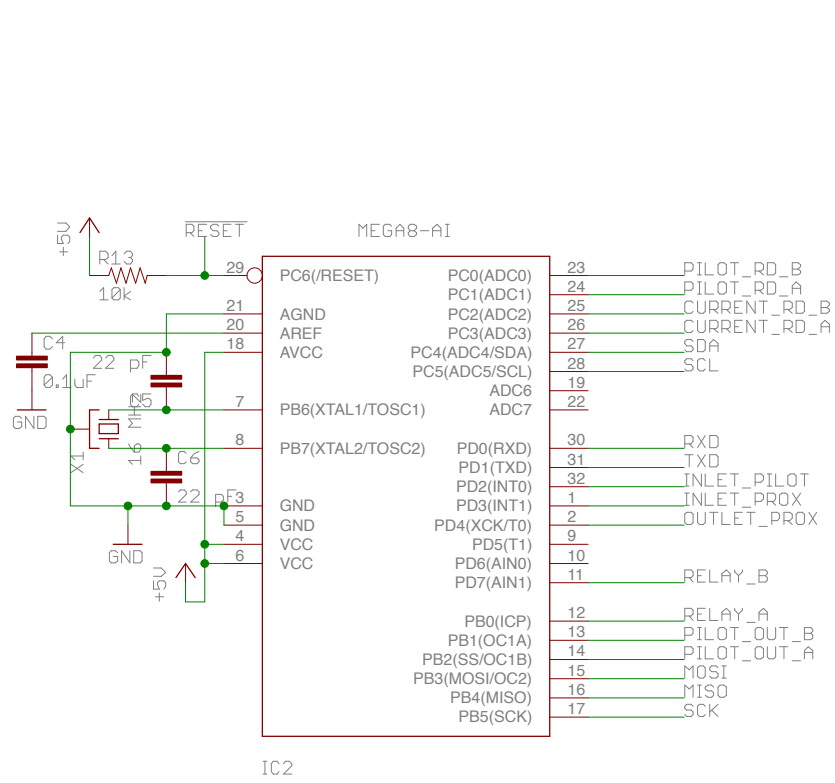


# Car Signaling & Control

TITLE: Hydra\_II

Document Number: \_\_\_\_\_ REV: \_\_\_\_\_

Date: 3/8/14 4:52 PM Sheet: 2/3



<h1>Controller &amp; Display</h1>	
TITLE: Hydra_II	
Document Number:	REV:
Date: 3/8/14 4:52 PM	Sheet: 3/3